

## DD Series DC Motor Drivers General catalogue



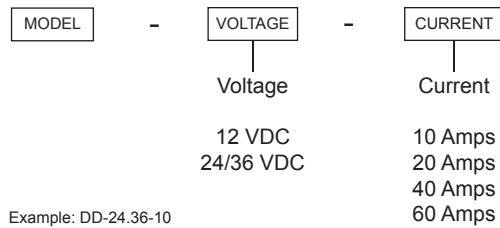
The DD Series controls are high performance PWM controls for 12, 24, and 36 volt battery powered equipment providing smooth control with high efficiency operation. The advanced design permits a substantial increase in the equipment running time between charges over conventional techniques. Features include adjustable maximum speed, minimum speed, current limit, I.R. compensation, and acceleration. The adjustable current limit feature protects the control, battery, and motor from sustained overloads. The higher capacity models also provide thermal protection.

The DD Series controls are designed for heavy duty battery operated PM motor applications, such as: floor scrubbers, small personnel carriers, AGV's, agricultural sprayers and a vast variety of portable equipment.

All the DD Series controls come standard with a speed pot, knob, and dial plate.

## DD Series DC MOTOR DRIVER

### MODEL NO. DESIGNATIONS



- Provides smooth variable speed capability for mobile equipment
- Increases range or running time of battery operated equipment through high efficiency
- Allows reduction in battery size w/out loss of operating range
- Automatic compensation to allow for declining battery voltage
- Speed regulation is  $\pm 1\%$  of base speed
- Adjustable maximum speed
- Adjustable minimum speed
- Adjustable I.R. compensation
- Adjustable current limit
- Adjustable acceleration speed
- Maintains variable speed control as batteries discharge 5K ohm speedpot with leads, knob and dial included.
- Speed adjustment using 5K ohm speedpot or 0-10 VDC analog input signal.
- Inhibit terminal permits optional start-stop without breaking battery line.

TRANSMOTEC SWEDEN AB

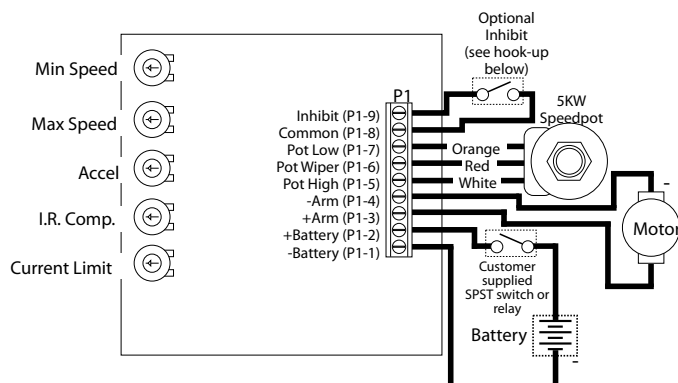
### DIMENSIONAL SPECIFICATIONS

Model	Width (mm)	Length (mm)	Depth (mm)	Weight (g)
DD-10	92.1	107.6	33.0	170
DD-20	94.0	177.8	43.2	297
DD-40	94.0	177.8	43.2	297
DD-60	170.2	228.6	57.7	962

### SPECIFICATIONS

	DD-10	DD-20	DD-40	DD-60
Load Current (continuous)	10 Amps	20 Amps	40 Amps	60 Amps
Voltage	12 or 24/36 VDC			
Speed Adjustment	5K ohm potentiometer or 0 to +10V DC input signal			
Overload Capacity	200% for 10 seconds; 150% for 1 minute			
Speed Range	30:1			
Current Limit	Adjustable 100% to 200% of full motor load, up to continuous current rating (see above)			
Acceleration	Adjustable - 0 to 10 sec.			
Deceleration	Non-adjustable - 0.5 sec.			
Maximum Speed	Adjustable - 50 to 100% of base speed			
Minimum Speed	Adjustable - 30% of max speed			
Input/Output Connections	Barrier Terminal Block / 12 Ga. to 6 Ga. maximum			
Speed Regulation	1% of base speed			
Package Configuration	Black anodized aluminum extrusion			
Internal Operating Frequency	18K Hertz	Approximately 800 Hz.		
Thermal Protection	Not Available		Current foldback at 80°C. heatsink temperature	
Operating temperature	-10° C to +45° C			

### APPEARANCE SIZE - 10 Amps



### APPEARANCE SIZE - 20 / 40 / 60 Amps

